

QRF/QRM SP SERIES

HIGH PRESSURE, POPPET TYPE, SCREW COUPLINGS

INTRODUCTION

The SP High Pressure Poppet Type Screwed Couplings are designed to withstand high pressure and pulsating circuits. High pressure pulses create forces that act to separate the male and female couplings. With couplings that use ball-in-groove retaining mechanisms, the separating forces are concentrated onto a relatively small area - point contact of the balls - which can cause Brinelling (indentation of the balls into the groove). Brinelling will lead to leakage and eventually seizure of the coupling. Screwed couplings have a screw thread retaining mechanism that distributes the separating forces over a large surface area, thus eliminating brinelling.

BENEFITS

Screw thread retaining mechanism to eliminate brinelling
Connection / disconnection can be performed even with a low residual hydraulic pressure in the line

APPLICATIONS

Mobile plant, agricultural implements and general industrial equipment.

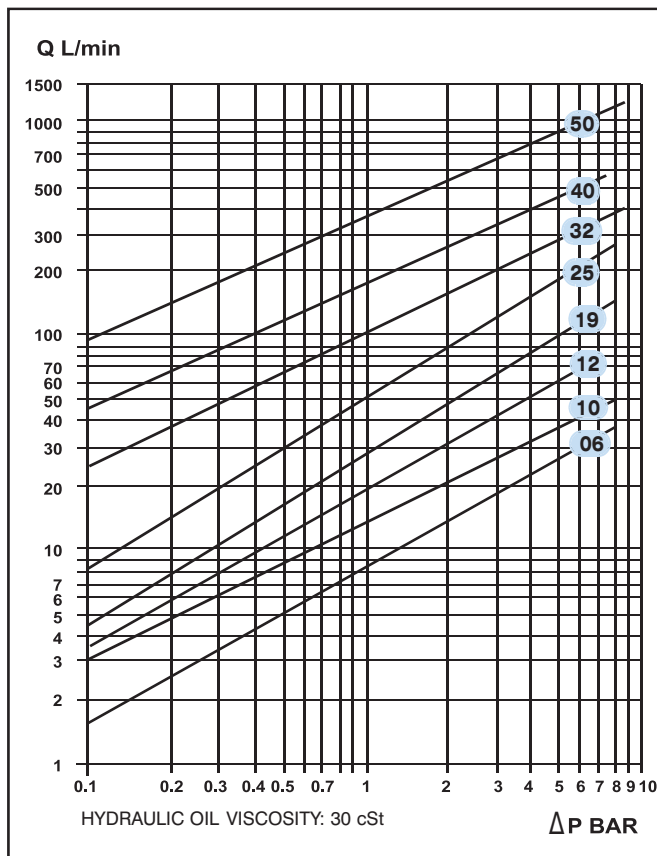
Construction

Zinc plated carbon steel body material with nitrile seals and PTFE backing ring.

TECHNICAL DETAILS

Working temperature range with nitrile seals is -20°C to +100°C
Couplings are also available with Viton seals for an operating temperature range of -15°C to +180°C.

PRESSURE DROP FLOW CHART

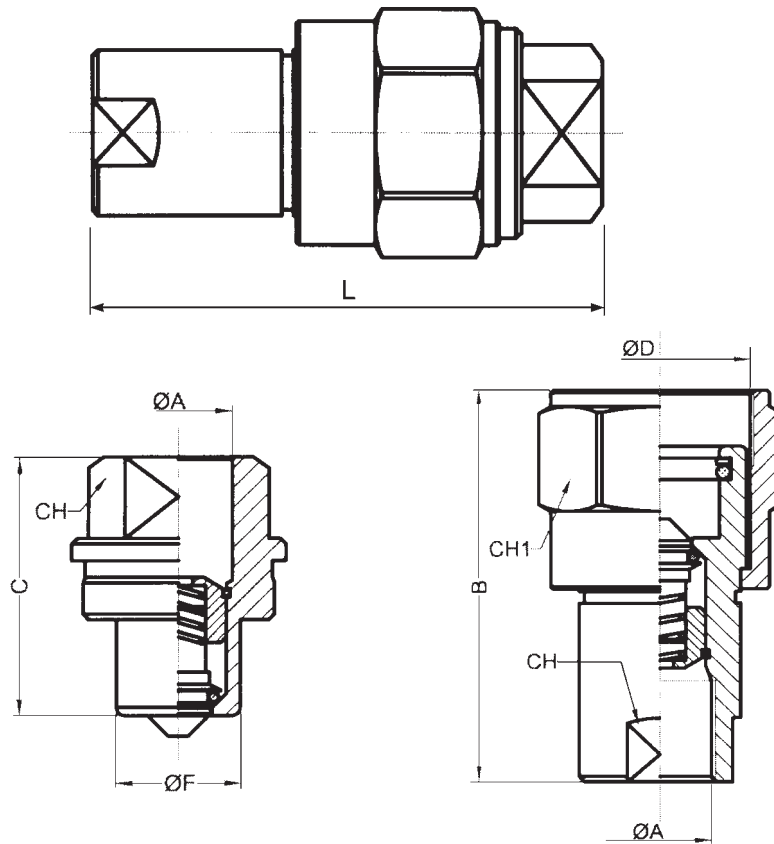


MAXIMUM WORKING PRESSURE (BAR)

Size	06	10	12	19	25	32	40	50
Male	950	750	750	650	450	450	300	300
Female	950	750	750	650	450	450	300	300



QRF/QRM SP SERIES



Size	ØA	B	C	CH	CH1	ØD	ØF	L
SP 06	1/4" BSP	57	34	19	32	27 x 1.5	14.9	68
SP 10	3/8" BSP	71.5	41	22	34	30 x 1.5	18.9	86
SP 12	1/2" BSP	74.5	47	27	41	35 x 1.5	22	94
SP 19	3/4" BSP	90.5	57	35	50	45 x 1.5	29	114
SP 25	1" BSP	103.5	64	41	65	54 x 1.5	36	128

